

Power-Stack™ Capacitors

Stacked Ceramic Capacitors For Use In High Power, High Vibration And High Mechanical Shock Environments

Available in all dielectric types and voltage ratings

Superior Performance:

ESL is typically less than half of a 49470 style device, as a result of the vertical plate design of the capacitors, and the current flow symmetry of the flying lead design.

ESR is low due to both the vertical layer chip attachment to the base plate, and the dual attachment of the top lead assembly.

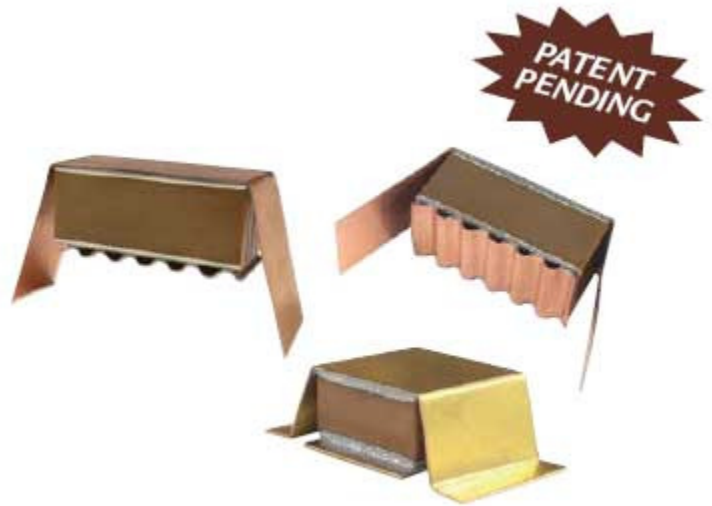
HEAT DISSIPATION is achieved by conduction through the robust base plate connection.

VIBRATION PERFORMANCE The robust base plate and the dual top lead attachment provide superior tolerance for vibration.

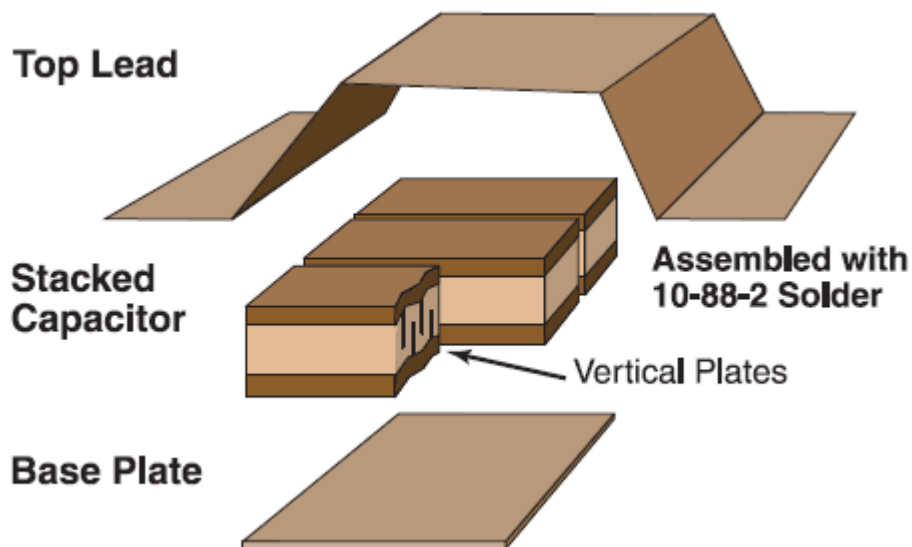
VOLTAGES 25V to 1000V

DIELECTRICS

K14 NPQ Porcelain
K100 NPO/BP
K500 N2T
K2000 BX
K5000 X7R



Assembly Details



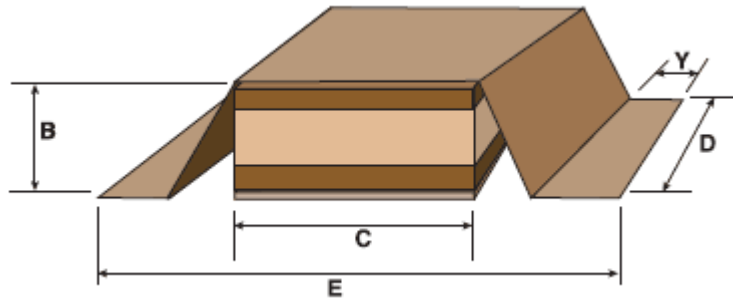
Dimensions



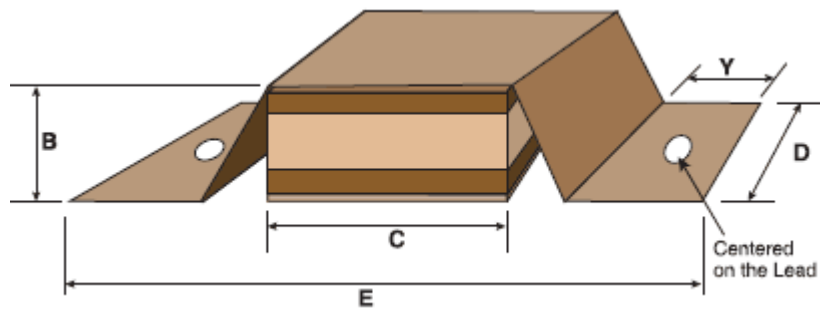
7169 Construction Court, San Diego, CA 92121 USA • Tel: 858-578-9390 • Fax: 800-538-3880 or 858-578-6225
Web: www.presidiocomponents.com • Email: info@presidiocomponents.com

Power-Stack™ Capacitors

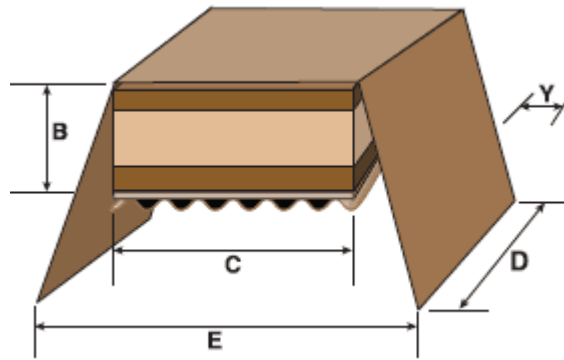
No Screw Holes



With Screw Holes



Through-Hole Ribbon



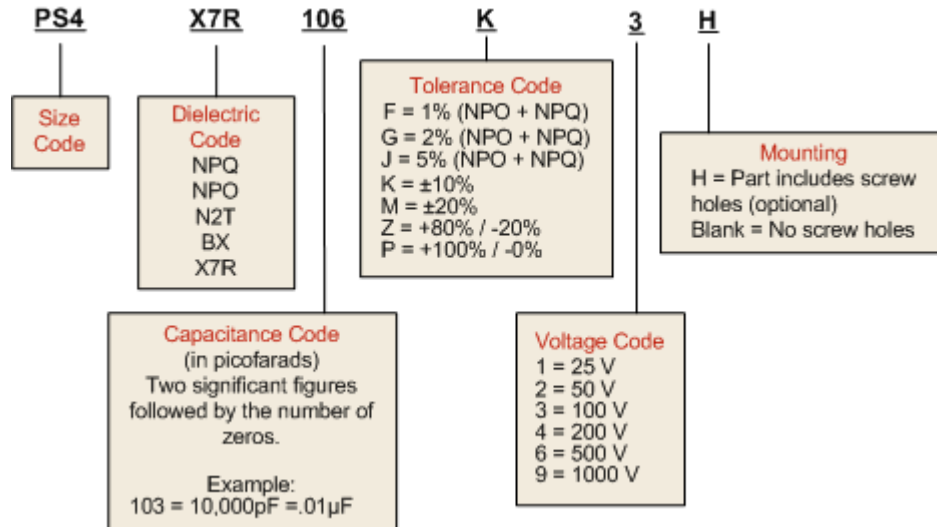
Size	Height B inches (mm)	Length C inches (mm)	Width D inches (mm)	No Screw Holes		With Screw Holes		Through-Hole Ribbon	
				Overall Length E inches (mm)	Foot Width Y inches (mm)	Overall Length E inches (mm)	Foot Width Y With Screw Holes inches (mm)	Overall Length E inches (mm)	Foot Width Y Through-Hole Ribbon inches (mm)
	Max	±0.015 (0.38)	±0.025 (0.64)	±0.025 (0.64)	±0.015 (0.38)	±0.025 (0.64)	±0.020 (0.51)	Call Presidio for more information	
PS4	0.250 (6.35)	0.400 (10.16)	0.400 (10.16)	0.640 (16.26)	0.060 (1.52)	1.100 (27.94)	0.300 (7.62)		
PS9	0.500 (12.70)	1.050 (26.67)	0.500 (12.70)	1.400 (35.56)	0.100 (2.54)	1.800 (45.72)	0.300 (7.62)		

Power-Stack™ Capacitors

Available Capacitance Values

	PS4					PS9				
	NPQ	NPO	N2T	BX	X7R	NPQ	NPO	N2T	BX	X7R
25V				5.6μF	15μF				56μF	120μF
50V		180nF	1μF	4.7μF	10μF		2μF	10μF	47μF	100μF
100V	27nF	100nF	.47μF	2.7μF	5.6μF	.22μF	1μF	4.7μF	22μF	47μF
200V	12nF	47nF	.33μF	1.2μF	1.8μF	.1μF	.39μF	3.3μF	10μF	15μF
500V	6.8nF	27nF	.27μF	.68μF	.82μF	47nF	.18μF	2.2μF	4.7μF	5.6μF
1000V	1.8nF	6.8nF	82nF	.18μF	.22μF	12nF	47nF	.56μF	1.2μF	1.5μF

How To Order



Consult factory for other voltages, capacitance options and parts outside a given range.

The above example is of Presidio's Manufacturing part number.

If a shorter part number is desired, use our conversion tool to create our Global part number.