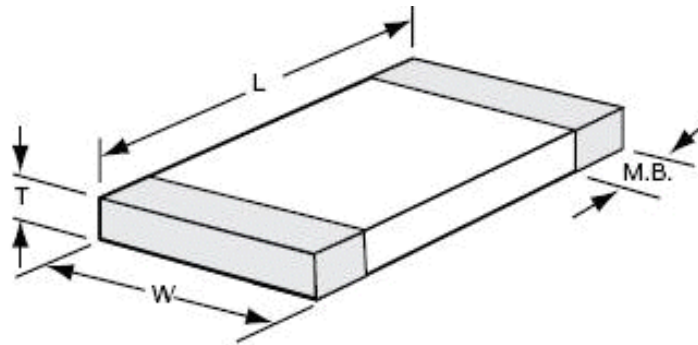


NPQ - High Q Dielectric Capacitors

For use in applications where the loss from traditional NPO formulations will not meet the circuit needs, Presidio recommends its NPQ – High Q Dielectric Capacitors. Made from low loss porcelain ceramic dielectric, the designator NPQ differentiates the ceramic from NPO in our part numbering system.

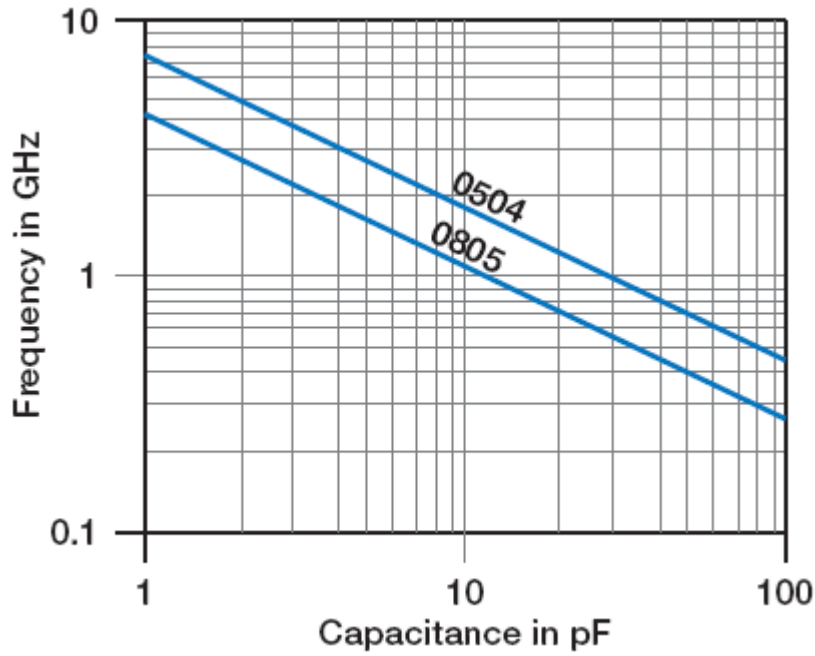
SIZE	L Inches (mm)	W Inches (mm)	THICKNESS MAX. (T) Inches (mm)	METALIZATION BAND (M.B.) Inches (mm)	WVDC	Max. Cap
0402	0.040 (1.02) ± 0.004 (0.10)	0.020 (0.51) ± 0.004 (0.10)	0.024 (0.61)	0.004 (0.10) min. band 0.015 (0.38) min. space	50 V	18 pF
0403	0.040 (1.02) ± 0.010 (0.25)	0.030 (0.76) ± 0.010 (0.25)	0.030 (0.76)	0.004 (0.10) min. band 0.015 (0.38) min. space	50 V	33 pF
0504	0.050 (1.27) ± 0.010 (0.25)	0.040 (1.02) ± 0.010 (0.25)	0.040 (1.02)	0.005 (0.13) min. band 0.015 (0.38) min. space	50 V	82 pF
0505	0.055 (1.40) ± 0.010 (0.25)	0.055 (1.40) ± 0.010 (0.25)	0.055 (1.40)	0.005 (0.13) min. band 0.015 (0.38) min. space	50 V	100 pF
0603	0.063 (1.60) ± 0.006 (0.15)	0.032 (0.81) ± 0.006 (0.15)	0.035 (0.89)	0.005 (0.13) min. band 0.025 (0.64) min. space	50 V	47 pF
0805	0.080 (2.03) ± 0.010 (0.25)	0.050 (1.27) ± 0.010 (0.25)	0.050 (1.27)	0.020 (0.51) ± 0.010 (0.25)	50 V	270 pF
1010	0.110 (2.79) ± 0.015 (0.38)	0.110 (2.79) ± 0.015 (0.38)	0.100 (2.54)	0.020 (0.51) ± 0.010 (0.25)	50 V	1000 pF
1206	0.126 (3.20) ± 0.008 (0.20)	0.063 (1.60) ± 0.008 (0.20)	0.059 (1.50)	0.020 (0.51) ± 0.010 (0.25)	50 V	820 pF

Dimensions

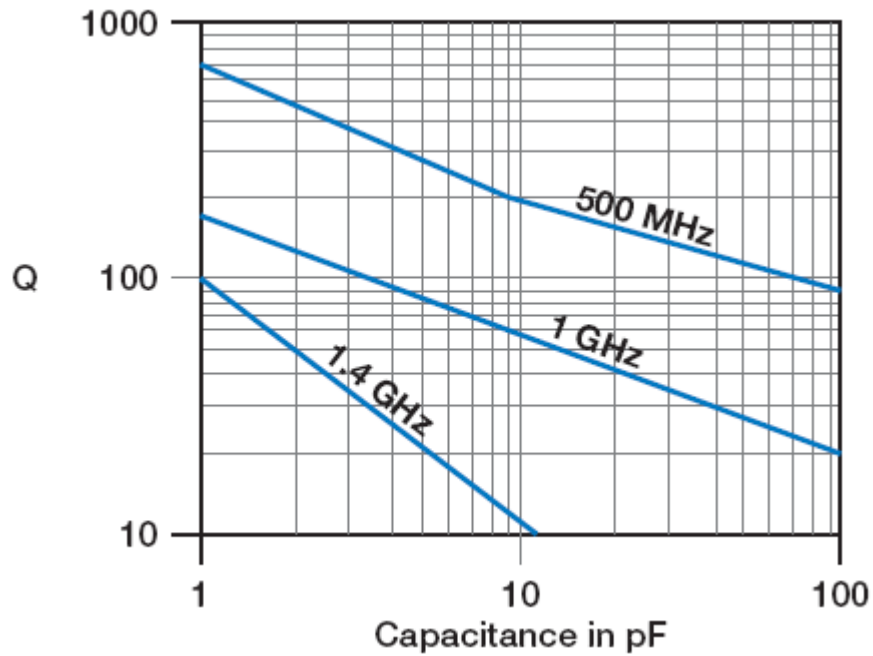


NPQ - High Q Dielectric Capacitors

Resonant Frequency vs. Capacitance

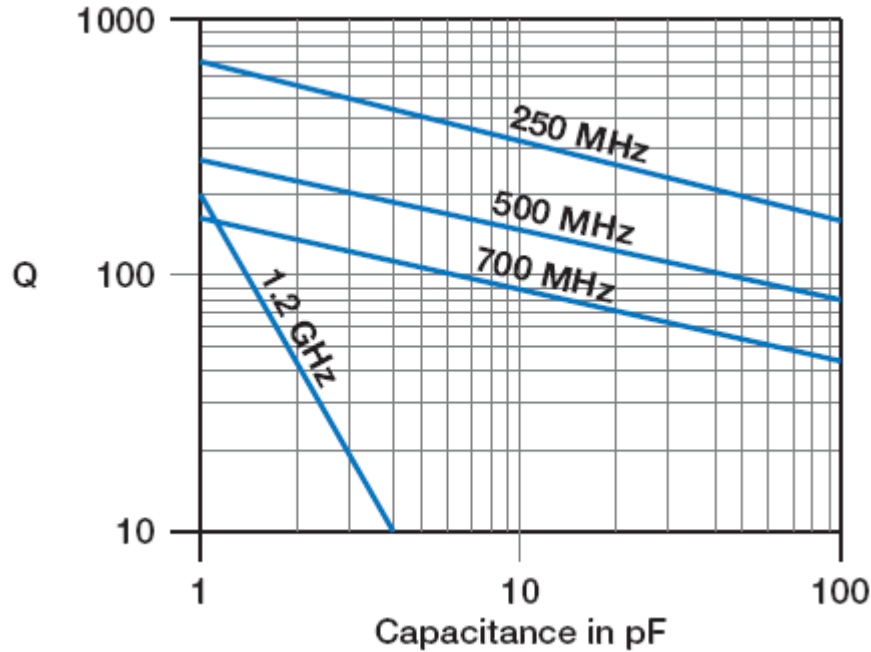


Capacitance vs. Q 0504

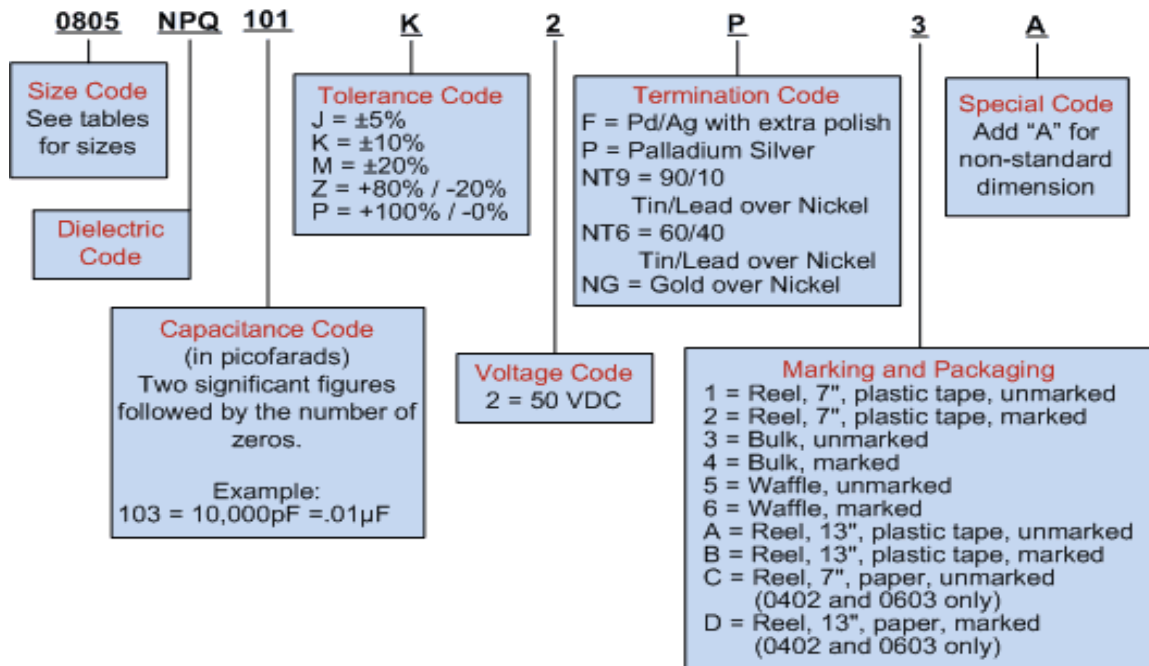


NPQ - High Q Dielectric Capacitors

Capacitance vs. Q 0805



How To Order



Consult factory for other voltages, capacitance options and parts outside a given range.

The above example is of Presidio's Manufacturing part number.

If a shorter part number is desired, use our conversion tool to create our Global part number.

