

High Voltage Capacitors

For use in high reliability high voltage applications, Presidio recommends its high voltage "HV" capacitors. Available screened to the requirements of MIL-PRF-49467, the high voltage parts may require encapsulation to prevent surface breakdown.

SIZE	L inches (mm)	W inches (mm)	THICKNESS MAX. (T) inches (mm)	METALIZATION BAND (M.B.) inches (mm)	WVDC	DIELECTRIC	
						NPO	X7R
1209	0.125 (3.18) ± 0.010 (0.25)	0.095 (2.41) ± 0.010 (0.25)	0.080 (2.03)	0.020 (0.51) ± 0.010 (0.25)	500 V	2700 pF	0.022 µF
					1000 V	390 pF	1800 pF
1514	0.150 (3.81) ± 0.010 (0.25)	0.140 (3.56) ± 0.010 (0.25)	0.140 (3.56)	0.020 (0.51) ± 0.010 (0.25)	500 V	3900 pF	0.039 µF
					1000 V	1800 pF	0.01 µF
					2000 V	390 pF	1800 pF
					3000 V	150 pF	820 pF
1812	0.180 (4.57) ± 0.020 (0.51)	0.160 (4.06) max.	0.120 (3.05)	0.020 (0.51) ± 0.010 (0.25)	500 V	6800 pF	0.068 µF
					1000 V	2200 pF	0.015 µF
					2000 V	270 pF	1800 pF
					3000 V	120 pF	390 pF
1825	0.180 (4.57) ± 0.020 (0.51)	0.250 (6.35) max.	0.160 (4.06)	0.020 (0.51) ± 0.010 (0.25)	500 V	0.012 µF	0.15 µF
					1000 V	5600 pF	0.027 µF
					2000 V	1000 pF	6800 pF
					3000 V	470 pF	1800 pF
1918	0.190 (4.83) ± 0.013 (0.33)	0.180 (4.57) ± 0.013 (0.33)	0.150 (3.81)	0.020 (0.51) ± 0.010 (0.25)	500 V	8200 pF	0.082 µF
					1000 V	3900 pF	0.022 µF
					2000 V	820 pF	4700 pF
					3000 V	330 pF	1800 pF
2225	0.230 (5.84) ± 0.020 (0.51)	0.250 (6.35) max.	0.200 (5.08)	0.020 (0.51) ± 0.010 (0.25)	500 V	0.015 µF	0.39 µF
					1000 V	6800 pF	0.068 µF
					2000 V	1500 pF	0.012 µF
					3000 V	560 pF	3900 pF
2720	0.270 (6.85) ± 0.020 (0.51)	0.230 (5.84) max.	0.200 (5.08)	0.020 (0.51) ± 0.010 (0.25)	500 V	0.012 µF	0.1 µF
					1000 V	5600 pF	0.027 µF
					2000 V	1500 pF	6800 pF
					3000 V	560 pF	3300 pF
2824	0.280 (7.11) ± 0.020 (0.51)	0.250 (6.35) max.	0.150 (3.81)	0.020 (0.51) ± 0.010 (0.25)	500 V	0.022 µF	0.22 µF
					1000 V	8200 pF	0.047 µF
					2000 V	1800 pF	0.01 µF
					3000 V	820 pF	3300 pF
3012	0.300 (7.62) ± 0.020 (0.51)	0.150 (3.81) max.	0.150 (3.81)	0.020 (0.51) ± 0.010 (0.25)	500 V	0.012 µF	0.082 µF
					1000 V	5600 pF	0.018 µF
					2000 V	560 pF	3300 pF
					3000 V	390 pF	1200 pF
3728	0.370 (9.40) ± 0.020 (0.51)	0.330 (8.38) max.	0.220 (5.59)	0.020 (0.51) ± 0.010 (0.25)	500 V	0.033 µF	0.27 µF
					1000 V	0.018 µF	0.082 µF
					2000 V	2700 pF	0.015 µF
					3000 V	1800 pF	5600 pF
3933	0.380 (9.65) ± 0.020 (0.51)	0.350 (8.89) max	0.150 (3.81)	0.020 (0.51) ± 0.010 (0.25)	500 V	0.047 µF	0.47 µF
					1000 V	0.018 µF	0.1 µF
					2000 V	3900 pF	0.022 µF
					3000 V	1800 pF	8200 pF
4018	0.400 (10.16) ± 0.020 (0.51)	0.210 (5.33) max	0.200 (5.08)	0.020 (0.51) ± 0.010 (0.25)	500 V	0.022 µF	0.15 µF
					1000 V	0.012 µF	0.047 µF
					2000 V	1200 pF	0.01 µF
					3000 V	820 pF	3900 pF
					4000 V	560 pF	2200 pF



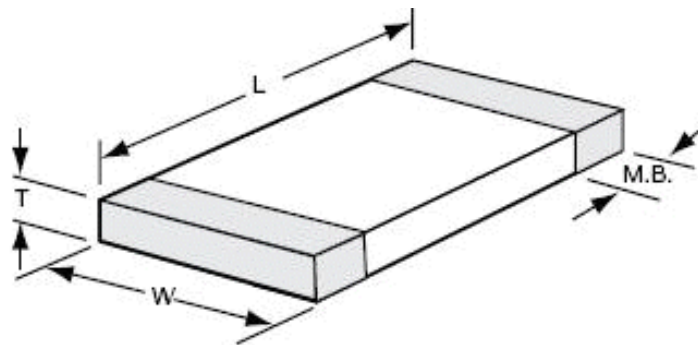
High Voltage Capacitors

HIGH VOLTAGE "HV" CAPACITORS (cont.)

HV

SIZE	L Inches (mm)	W Inches (mm)	THICKNESS MAX. (T) Inches (mm)	METALIZATION BAND (M.B.) Inches (mm)	WVDC	DIELECTRIC	
						NPO	X7R
4040	0.400 (10.16) ± 0.028 (0.71)	0.400 (10.16) ± 0.028 (0.71)	0.150 (3.81)	0.020 (0.51) ± 0.010 (0.25)	500 V	0.047 μF	0.47 μF
					1000 V	0.022 μF	0.12 μF
					2000 V	5600 pF	0.027 μF
					3000 V	2200 pF	0.012 μF
					4000 V	1000 pF	5600 pF
4540	0.450 (11.43) ± 0.032 (0.81)	0.400 (10.16) ± 0.028 (0.71)	0.150 (3.81)	0.020 (0.51) ± 0.010 (0.25)	500 V	0.068 μF	0.68 μF
					1000 V	0.027 μF	0.15 μF
					2000 V	6800 pF	0.039 μF
					3000 V	2700 pF	0.015 μF
					4000 V	1200 pF	6800 pF
4838	0.470 (11.94) ± 0.020 (0.51)	0.430 (10.92) max.	0.220 (5.59)	0.020 (0.51) ± 0.010 (0.25)	500 V	0.056 μF	0.47 μF
					1000 V	0.033 μF	0.15 μF
					2000 V	5600 pF	0.027 μF
					3000 V	3900 pF	0.012 μF
					4000 V	1000 pF	4700 pF
5848	0.570 (14.48) ± 0.020 (0.51)	0.530 (13.46) max.	0.220 (5.59)	0.020 (0.51) ± 0.010 (0.25)	500 V	0.1 μF	0.68 μF
					1000 V	0.047 μF	0.22 μF
					2000 V	0.01 μF	0.047 μF
					3000 V	6800 pF	0.022 μF
					4000 V	1800 pF	8200 pF
6860	0.670 (17.02) ± 0.020 (0.51)	0.650 (16.51) max.	0.220 (5.59)	0.020 (0.51) ± 0.010 (0.25)	500 V	0.15 μF	1.0 μF
					1000 V	0.068 μF	0.33 μF
					2000 V	0.015 μF	0.068 μF
					3000 V	0.01 μF	0.033 μF
					4000 V	2700 pF	0.012 μF
					5000 V	2200 pF	8200 pF

Dimensions

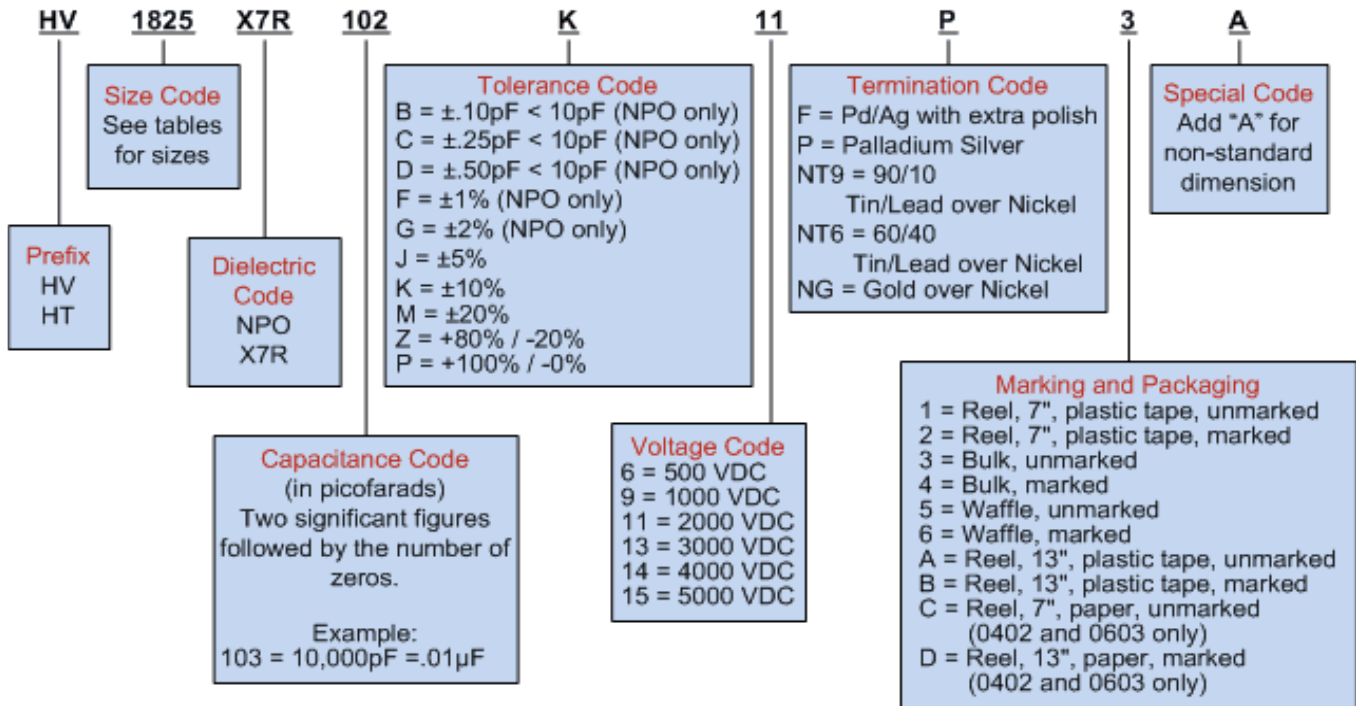


 **PRESIDIO COMPONENTS, INC.**

7169 Construction Court, San Diego, CA 92121 USA • Tel: 858-578-9390 • Fax: 800-538-3880 or 858-578-6225
 Web: www.presidiocomponents.com • Email: info@presidiocomponents.com

High Voltage Capacitors

How To Order



Consult factory for other voltages, capacitance options and parts outside a given range.

The above example is of Presidio's Manufacturing part number.

If a shorter part number is desired, use our conversion tool to create our Global part number.

