

MIL-PRF-49470 Dimensions and Profiles

Dimensions

49470 Case Code	C ± .025 in. (± .64 mm)	D inches (mm)		E (max) inches (mm)	Number of Leads Per Side
		Min	Max		
1	.450 (11.43)	1.950 (49.53)	2.075 (52.71)	.500 (12.70)	20
2	.800 (20.32)	1.450 (36.83)	1.535 (38.99)	.870 (22.10)	15
3	.450 (11.43)	.950 (24.13)	1.075 (27.31)	.500 (12.70)	10
4	.400 (10.16)	.350 (8.89)	.425 (10.80)	.440 (11.18)	4
5	.250 (6.35)	.224 (5.69)	.275 (6.99)	.300 (7.62)	3
6	1.250 (31.75)	1.950 (49.53)	2.075 (52.71)	1.350 (34.29)	20

Standard Profile

49470 Lead Symbol (last digit of P/N)	Lead Style	Stack Height Profile (dimension A)	Formed Lead Height inches (mm)
N	N (straight)	Standard	N/A
L	L (formed)	Standard	.070 ± .010 (1.78 ± 0.25)
M	L (formed)	Standard	.045 ± .010 (1.14 ± 0.25)
J	J (formed)	Standard	.070 ± .010 (1.78 ± 0.25)
K	J (formed)	Standard	.045 ± .010 (1.14 ± 0.25)

Low Profile

49470 Lead Symbol (last digit of P/N)	Lead Style	Stack Height Profile (dimension A)	Formed Lead Height inches (mm)
A	N (straight)	Low	N/A
B	L (formed)	Low	.070 ± .010 (1.78 ± 0.25)
D	L (formed)	Low	.045 ± .010 (1.14 ± 0.25)
C	J (formed)	Low	.070 ± .010 (1.78 ± 0.25)
F	J (formed)	Low	.045 ± .010 (1.14 ± 0.25)

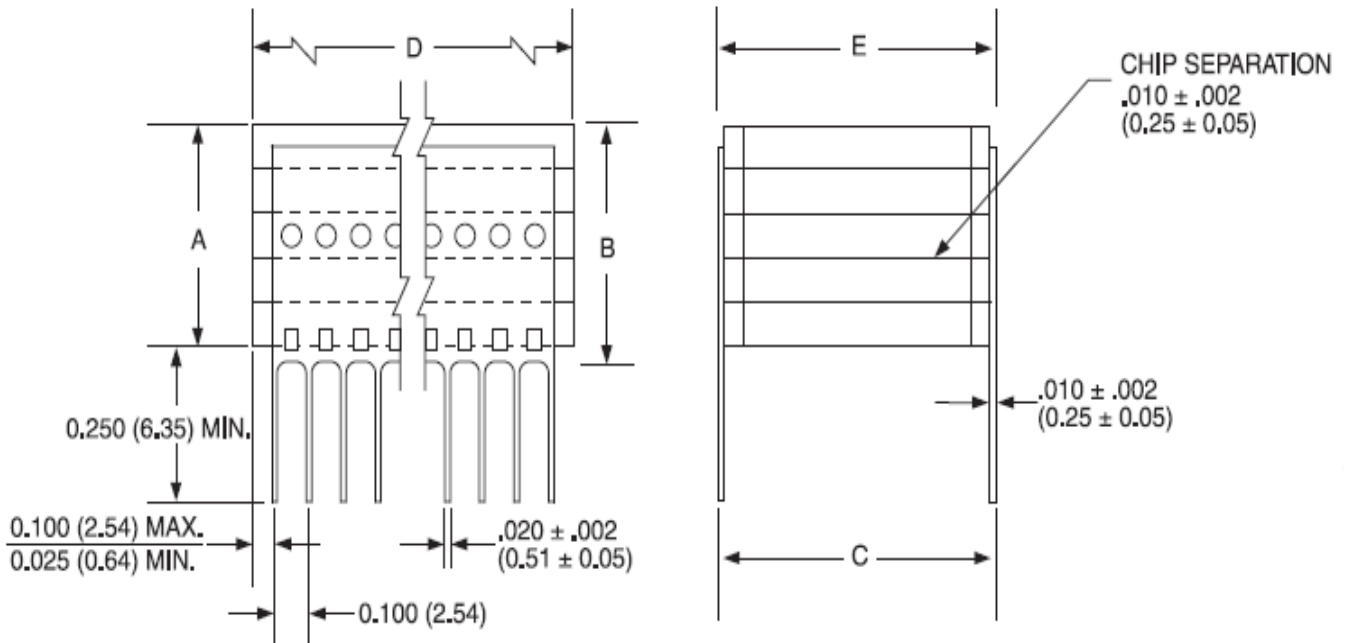


MIL-PRF-49470 Dimensions and Profiles

49470/87106/88011 Lead Style and Dimensions

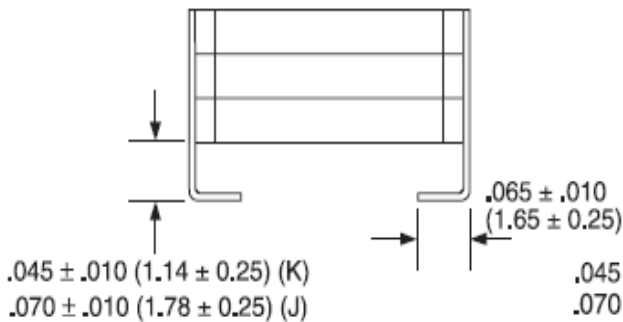
N Style

Through-hole straight leads



J and K Style

Leads bent under device



L and M Style

Leads bent away from device

