

## MIL-PRF-49467 Specifications and Dimensions

**Presidio Components, Inc.** is proud to be the first QPL supplier to MIL-PRF-49467, the high voltage ceramic capacitor specification. Per DSCC, this specification covers the general requirements for general purpose, ceramic multilayer high voltage capacitors for use in applications where appreciable variations in capacitance with respect to temperature, voltage, frequency, and life can be tolerated (BR and BZ characteristics) or in critical frequency determining applications, timing circuits, and other applications where absolute stability is required (BP characteristic).

**Part or Identifying Number (PIN):** Capacitors specified herein are identified by a PIN which consists of the basic number of the performance specification and a coded number. The coded number provides information concerning the characteristic, specification sheet number, capacitance, and capacitance tolerance. The PIN is in the following form with the coded number derived as indicated:

### MIL-PRF-49467 PART NUMBER REFERENCE

<b><u>M49467</u></b>	<b><u>R</u></b>	<b><u>01</u></b>	<b><u>101</u></b>	<b><u>K</u></b>
Performance Specification Indicating MIL-PRF-49467	Characteristic (1.2.1.1)	Performance Specification Sheet Number Indicating MIL-PRF-49467/1	Capacitance Value (1.2.1.2)	Capacitance Tolerance (1.2.1.3)

**Characteristic:** The characteristic refers to the voltage temperature limits of the capacitor. The first letter (B) (not shown) identifies the rated temperature range of -55°C to 125°C. The second letter indicates the voltage temperature limits as shown in Table 1.

**TABLE 1: CHARACTERISTIC**

Symbol	Capacitance Change with Reference to +25°C		
	Step A through Step D of Table VII	Rated Voltage	Step E through Step G of Table VII
P	0 ppm/ °C ± 30 ppm/ °C	100%	0 ppm/ °C ± 30 ppm/ °C
R	± 15%	100%	+ 15, - 40%
Z	± 15%	60%	+ 15, - 45%

For more information on military specifications go to DSCC's website at [www.dscclia.mil](http://www.dscclia.mil).

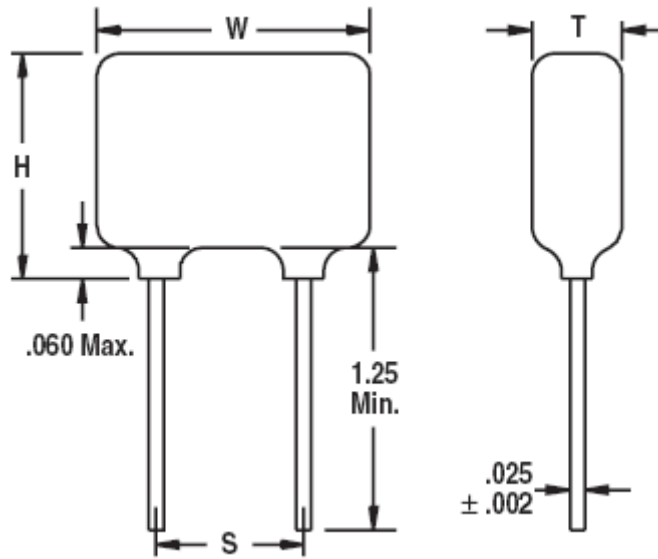
**TABLE 2: CAPACITANCE TOLERANCE**

Symbol	Capacitance Tolerance
J	± 5%
K	± 10%
M	± 20%



# MIL-PRF-49467 Specifications and Dimensions

## DIMENSIONS AND CONFIGURATION



Case Code	Sizes (Max.)			Lead Spacing ± .030 (S)
	Width (W)	Height (H)	Thickness (T)	
A	.250	.220	.200	.170
B	.320	.280	.250	.220
C	.370	.300	.250	.275
D	.470	.400	.270	.375
E	.570	.500	.270	.475
F	.670	.600	.270	.575
G	.770	.720	.270	.675
J	1.250	.600	.270	1.100
K	1.450	.720	.270	1.300
L	.450	.220	.220	.300
M	.450	.220	.270	.300
N	.550	.280	.250	.400



7169 Construction Court, San Diego, CA 92121 USA • Tel: 858-578-9390 • Fax: 800-538-3880 or 858-578-6225  
 Web: [www.presidiocomponents.com](http://www.presidiocomponents.com) • Email: [info@presidiocomponents.com](mailto:info@presidiocomponents.com)