

## MIL-PRF-123 Qualified Products

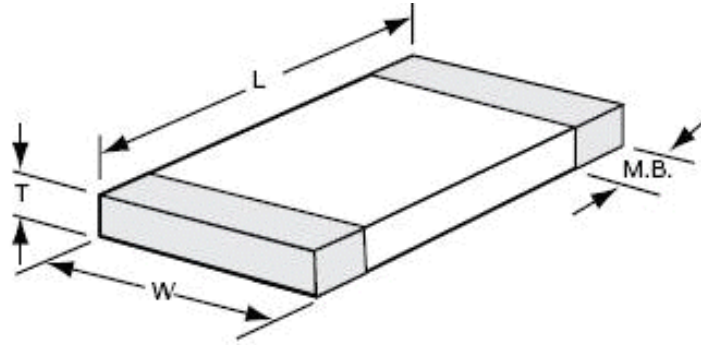
Size	CKS51	CKS52	CKS53	CKS54
<b>L</b> inch (mm)	0.080 ± .015 (2.03 ± 0.38)	0.120 ± .015 (3.05 ± 0.38)	0.180 ± .015 (4.57 ± 0.38)	0.220 ± .015 (5.59 ± 0.38)
<b>W</b> inch (mm)	0.050 ± .015 (1.27 ± 0.38)	0.100 ± .015 (2.54 ± 0.38)	0.080 ± .015 (2.03 ± 0.38)	0.250 ± .015 (6.35 ± 0.38)
<b>T min.</b> inch (mm)	0.020 (0.51)	0.020 (0.51)	0.020 (0.51)	0.020 (0.51)
<b>T max.</b> inch (mm)	0.055 (1.40)	0.065 (1.65)	0.065 (1.65)	0.070 (1.78)
<b>M.B.</b> inch (mm)	0.020 ± .010 (0.51 ± 0.25)	0.020 ± .010 (0.51 ± 0.25)	0.020 ± .010 (0.51 ± 0.25)	0.020 ± .010 (0.51 ± 0.25)
<b>Dielectric</b>	BP, BX	BP, BX	BP, BX	BP, BX
<b>WVDC</b>	50, 100	50, 100	50, 100	50
<b>Tolerance</b>	C, D, F, J, K	F, J, K, M	F, J, K	F, J, K
<b>Termination</b>	M, S, Z	M, S, Z	M, S, Z	M, S, Z
<b>Capacitance in pF</b>	1 through 180000	300 through 100000	300 through 68000	1100 through 470000
<b>Designation</b>	SR0805	SR1210	SR1808	HR2225
<b>Test or Qual Reference</b>	123-020-99 55681-049-00	55681-049-00	55681-660-85	55681-049-00
<b>Specification Sheet</b>	/10	/11	/12	/13

Size	CKS55	CKS56		CKS57
<b>L</b> inch (mm)	0.120 ± .015 (3.05 ± 0.38)	0.180 ± .015 (4.57 ± 0.38)	0.180 ± .015 (4.57 ± 0.38)	0.180 ± .015 (4.57 ± 0.38)
<b>W</b> inch (mm)	0.060 ± .015 (1.52 ± 0.38)	0.125 ± .015 (3.18 ± 0.38)	0.125 ± .015 (3.18 ± 0.38)	0.250 ± .015 (6.35 ± 0.38)
<b>T min.</b> inch (mm)	0.020 (0.51)	0.022 (0.56)	0.022 (0.56)	0.020 (0.51)
<b>T max.</b> inch (mm)	0.065 (1.65)	0.080 (2.03)	0.080 (2.03)	0.080 (2.03)
<b>M.B.</b> inch (mm)	0.020 ± .010 (0.51 ± 0.25)	0.020 ± .010 (0.51 ± 0.25)	0.020 ± .010 (0.51 ± 0.25)	0.020 ± .010 (0.51 ± 0.25)
<b>Dielectric</b>	BP, BX	BP	BX	BP, BX
<b>WVDC</b>	50, 100	100	50, 100	50, 100
<b>Tolerance</b>	B, C, D, F, J, K, M	F, J, K	K, M	F, J, K, M
<b>Termination</b>	M, S, Z	M, S, Z	M, S, Z	M, S, Z
<b>Capacitance in pF</b>	1 through 39000	1200 through 4700	27 through 180000	3900 through 470000
<b>Designation</b>	HR1206	HR1812	HR1812	HR1825
<b>Test or Qual Reference</b>	55681-049-00	55681-049-00	55681-049-00	55681-049-00
<b>Specification Sheet</b>	/21	/22	/22	/23



# MIL-PRF-123 Qualified Products

## Dimensions



## Tolerance

- B - +/- .1pF
- C - +/- .25pF
- D - +/- .5pF
- F - +/- 1%
- J - +/- 5%
- K - +/- 10%

## Termination

- M - Palladium/silver alloy
- S - Guarded, solder coated
- Base metallization-barrier-solder
- Z - plated (tin/lead alloy with a minimum of 4% lead)